

DIO6650

Low I_Q High Light Load Efficiency Synchronous Boost Converter

Features

- Deliver 5V at 60mA from a Single Alkaline/Ni-MH or 5V at 120mA from Two Cells
- Up to 94% Efficiency
- Low Shutdown Current: < 1μA
- Low Quiescent Current: 30μA
- Low No-load Input Current
- Output Disconnect by Shutdown Function
- TSOT23-6 Package

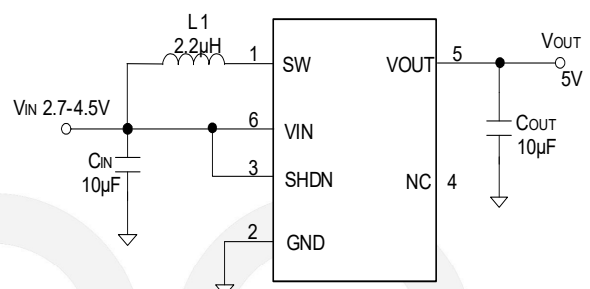
Applications

- Wireless Mice
- Medical Instruments
- Smart Phones
- Bluetooth Devices

Descriptions

The DIO6650 is a synchronous step-up DC/DC converter. That is based on constant Off Time/PSM controller topology. The IC enters PSM mode automatically at light load, the goal is to improve efficiency and reduce quiescent current. The DIO6650 provides a complete power supply solution for products powered by one or two Alkaline, Ni-Cd, or Ni-MH battery cells. The implemented boost converter is based on a constant Off Time/PSM controller topology using an internal synchronous rectifier to obtain maximum efficiency. A low-EMI mode is implemented to reduce ringing and in effect lower radiated electromagnetic energy when the converter enters the discontinuous conduction mode.

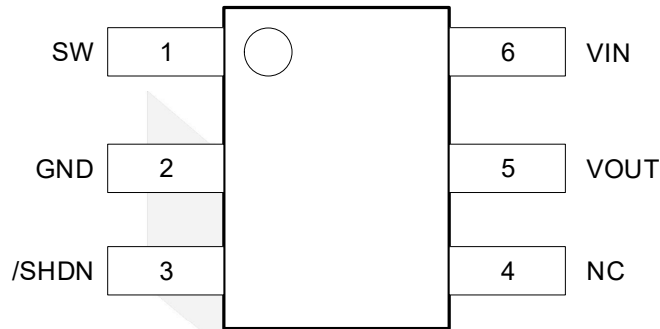
Function Block



Ordering Information

Order Part Number	Top Marking		T _A	Package	
DIO6650TST6	DDYW	Green	-40 to 85°C	TSOT23-6	Tape & Reel, 3000

Pin Assignments



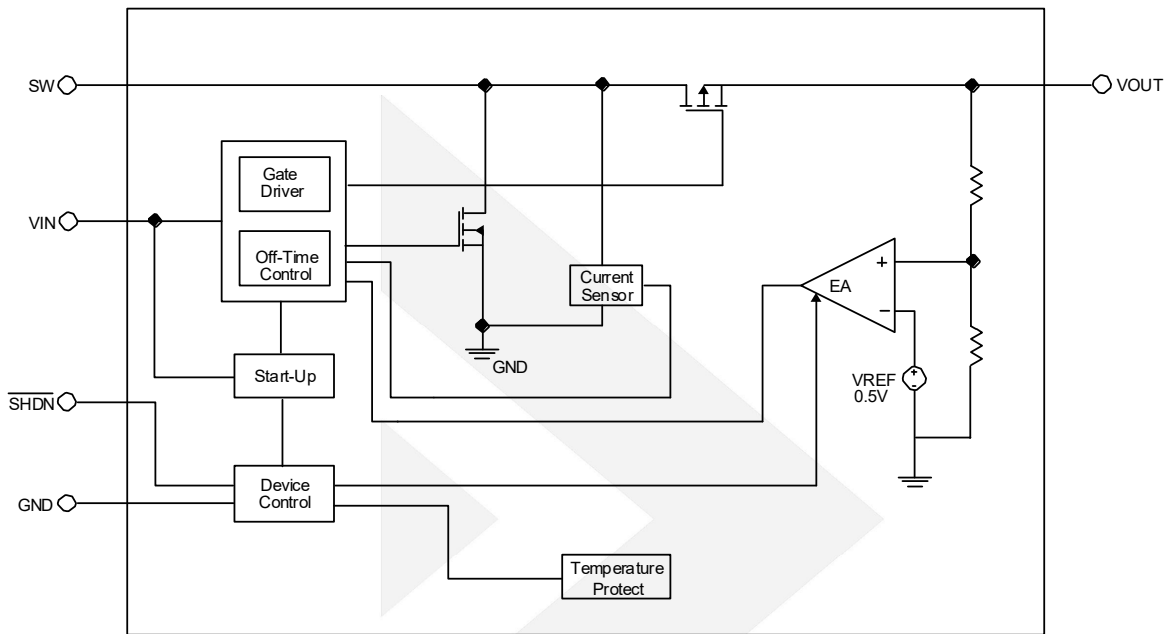
TSOT23-6

Figure 1 Pin Assignment (Top View)

Pin Definitions

Pin Name	Description
SW	Switch Pin. Connect Inductor between VIN and this pin.
GND	Power Ground.
/SHDN	Logic Controlled Shutdown Input. /SHDN= High: Normal Operation; /SHDN= Low: IC Shutdown.
NC	No Connect. Floating or connect to GND.
VOUT	Output Voltage Sense and Drain of the Internal Synchronous Rectifier.
VIN	Input Supply Pin.

Function Block Diagram



Absolute Maximum Ratings

Stresses beyond those listed under “Absolute Maximum Rating” may cause permanent damage to the device. These are stress ratings only and functional operation of the device at these or any other condition beyond those indicated in the operational sections of the specifications is not implied. Exposure to absolute maximum rating conditions for extended periods may affect device reliability.

Parameter		Rating	Unit
/SHDN, OUT, VIN Voltage		-0.3 to 6	V
SW Voltage	DC	-0.3 to 6	V
	Pulsed < 100ns	-0.3 to 7	V
Operating Ambient Temperature Range T _A		-40 to 85	°C
Operating Maximum Junction Temperature Range T _J		150	°C
Storage Temperature Range T _{STG}		-65 to 150	°C
Lead Temperature Range		260	°C
Thermal Resistance Junction to Ambient		250	°C/W



DIO6650

Recommend Operating Conditions

The Recommended Operating Conditions table defines the conditions for actual device operation. Recommended Operating conditions are specified to ensure optimal performance to the datasheet specifications. DIOO does not Recommend exceeding them or designing to Absolute Maximum Ratings.

Parameter	Rating	Unit
Supply Voltage	2.7 to 4.5	V
Junction Temperature Range	-40 to 125	°C
Ambient Temperature Range	-40 to 85	°C

Low I_q High Light Load Efficiency Synchronous Boost Converter





DIO6650

Low I_q High Light Load Efficiency Synchronous Boost Converter

Electrical Characteristics

V_{IN}=3.6V, V_{OUT}=5V, T_A=25°C unless otherwise specified.

Symbol	Parameter	Test Conditions	Min	Typ	Max	Unit
V _{OUT}	Output voltage range		4.8	5	5.2	V
V _{IN}	Input voltage range		2.7		4.5	V
f	Oscillator frequency		870	1200	1470	kHz
I _{SW}	Switch current limit		0.8	1.2	1.6	A
	Start-up current limit			600		mA
	Boost switch-on resistance	V _{OUT} =5V		400		mΩ
	Rectifying switch-on resistance	V _{OUT} =5V		530		mΩ
	Output voltage accuracy	V _{IN} =2.7V, I _o =10mA			3.8	%
	Line regulation	V _{IN} =3.0V to V _{OUT} -0.7V, I _o =100mA		0.8	1	%
	Load regulation			0.5		%
	Quiescent current	V _{EN} =V _{IN} =2.7V, I _o =0, V _{OUT} =5V		30	55	μA
	Shutdown current	V _{EN} =0V, V _{IN} =2.7V			1	μA
	/SHDN High Threshold Voltage		0.8			V
	/SHDN Low Threshold Voltage				0.2	V
I _{SHDN}	/SHDN Pin Input Current	/SHDN=5.5V		0.01	1.0	μA
	Over temperature protection			150		°C
	Over temperature hysteresis			15		°C

Specifications subject to change without notice.

Applications Information

The DIO6650 is a synchronous step-up DC-DC converter. It is based on constant Off Time/PSM controller topology. At the beginning of each clock cycle, the main switch (NMOS) is turned on and the inductor current starts to ramp. After the sense current signal equals the error amplifier (EA) output, the main switch is turned off and the synchronous switch (PMOS) is turned on.

Current Limit

The over current protection is to limit the switch current. The output Voltage will be dropped when over current is happened. The current limit amplifier will turn off switch once the current exceeds its threshold.

Zero Current Comparator

The zero current comparator monitors the inductor current to the output and shuts off the synchronous rectifier. This prevents the inductor current from reversing in polarity improving efficiency at light loads.

Device Shutdown

When /SHDN is set logic high, the DIO6650 is put into active mode operation. If /SHDN is set logic low, the device is put into shutdown mode and consumes less than 1 μ A of current. At the shutdown mode, the synchronous switch will turn off and the output voltage of DIO6650 step-up converter will reduce to 0V. After start-up, the internal circuitry is supplied by V_{OUT} , however, if shutdown mode is enabled, the internal circuitry will be supplied by the input source again.

Input Inductor Selection

A 2.2 μ H~6.8 μ H input inductor is commanded for most DIO6650 applications. The 2.2 μ H input inductor can get the good performance over the whole converter ratio cases. The inductor which is smaller than 2.2 μ H is not recommended to use. It is important to ensure the inductor saturation current exceeding the peak inductor current in application to prevent core saturation.

Input Capacitor Selection

Surfaces mount 2.2 μ F or greater, X5R or X7R, ceramic capacitor is suggested for the input capacitor. The input capacitor provides a low impedance loop for the edges of pulsed current drawn by the DIO6650. Low ESR/ESL X7R and X5R ceramic capacitors are ideal for this function. To minimize stray inductance, the capacitor should be placed as close as possible to the IC. This keeps the high frequency content of the input current localized, minimizing EMI and input voltage ripple. Always examine the ceramic capacitor DC voltage coefficient characteristics to get the proper value.

Output Capacitor Selection

The output capacitor limits the output ripple and provides holdup during large load transitions. A 2.2 μ F to 10 μ F, X5R or X7R, ceramic capacitor is suggested for the output capacitor. Typically the recommended capacitor range provides sufficient bulk capacitance to stabilize the output voltage during large load transitions and has the low ESR and ESL characteristics necessary for low output voltage ripple.

PCB Layout Guidance

This is a considerably high frequency for DC-DC converters. PCB layout is important to guarantee satisfactory performance. It is recommended to make traces of the power loop, especially where the switching node is involved, as short and wide as possible. First of all, the inductor, input and output capacitor should be as close as possible to the device. Feedback and shutdown circuits should avoid the proximity of large AC signals involving the power inductor and switching node.

CONTACT US

Dioo is a professional design and sales corporation for high-quality and performance analog semiconductors. The company focuses on industry markets, such as, cell phone, handheld products, laptop, and medical equipment and so on. Dioo's product families include analog signal processing and amplifying, LED drivers and charger IC. Go to <http://www.dioo.com> for a complete list of Dioo product families.

For additional product information, or full datasheet, please contact with our Sales Department or Representatives.

